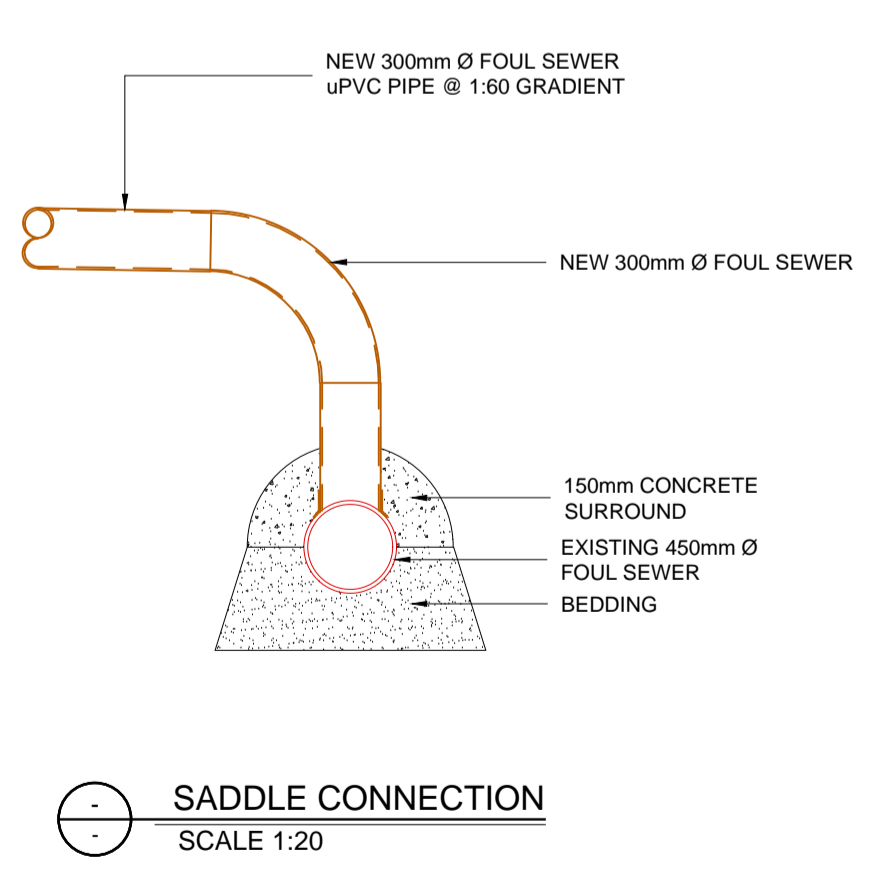
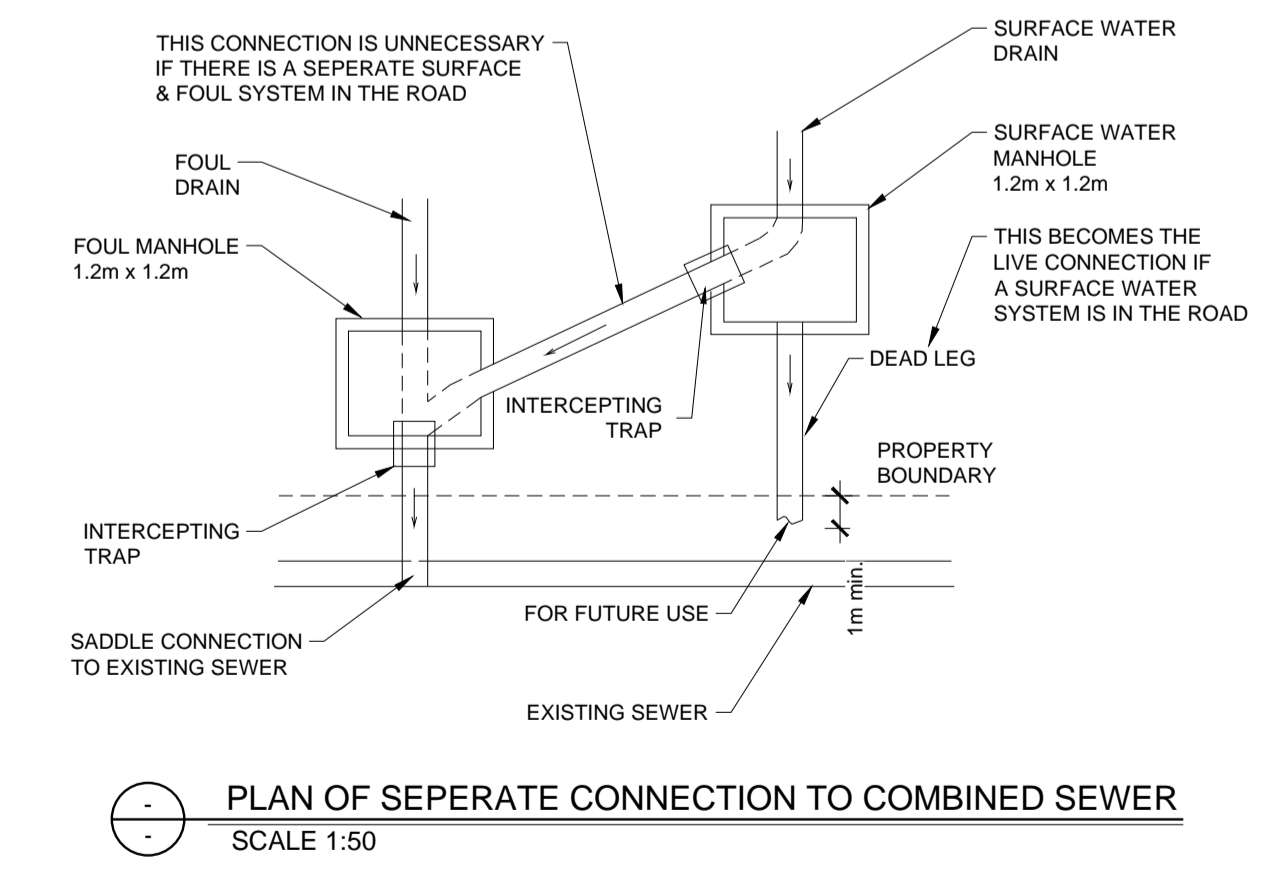
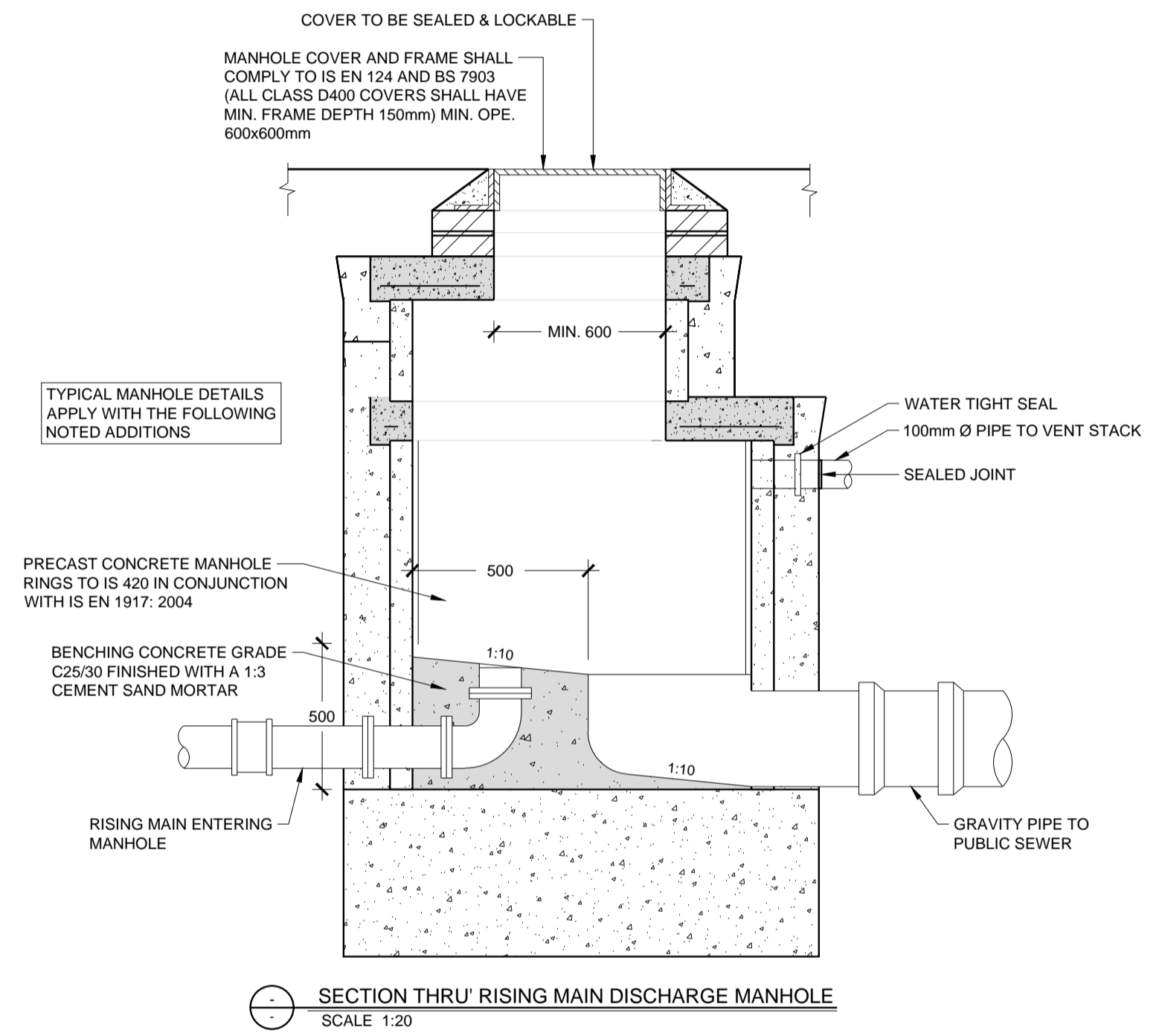
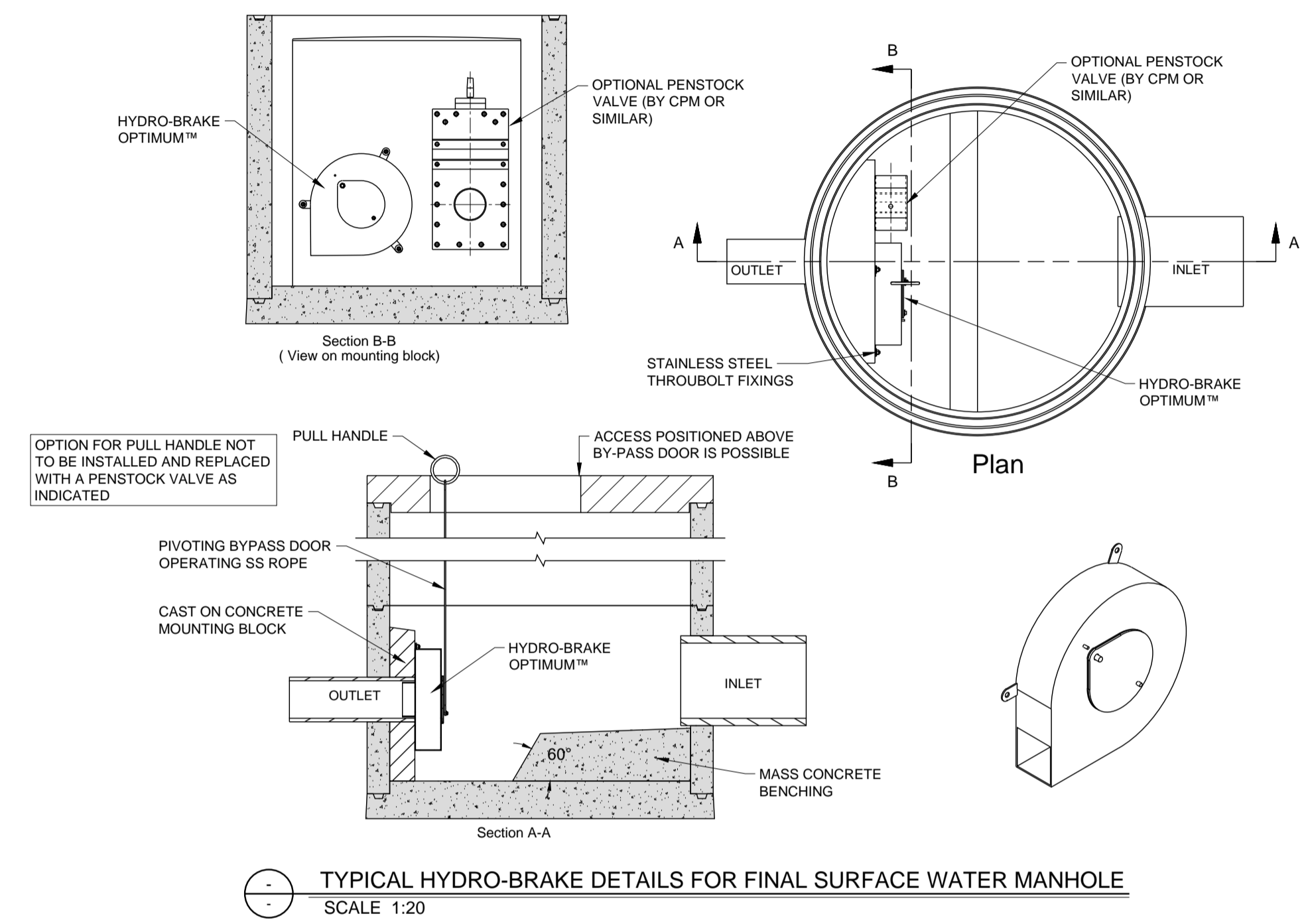
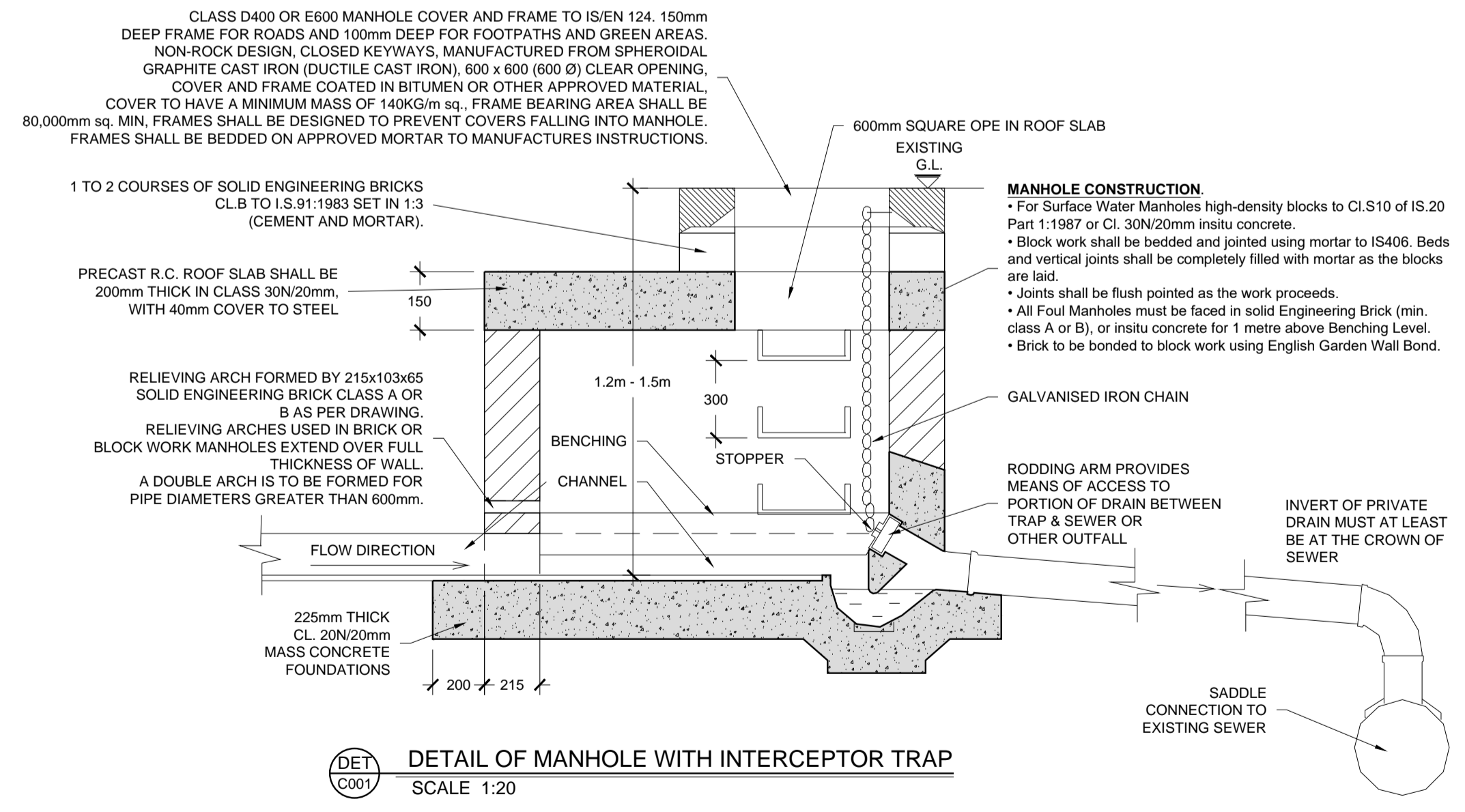
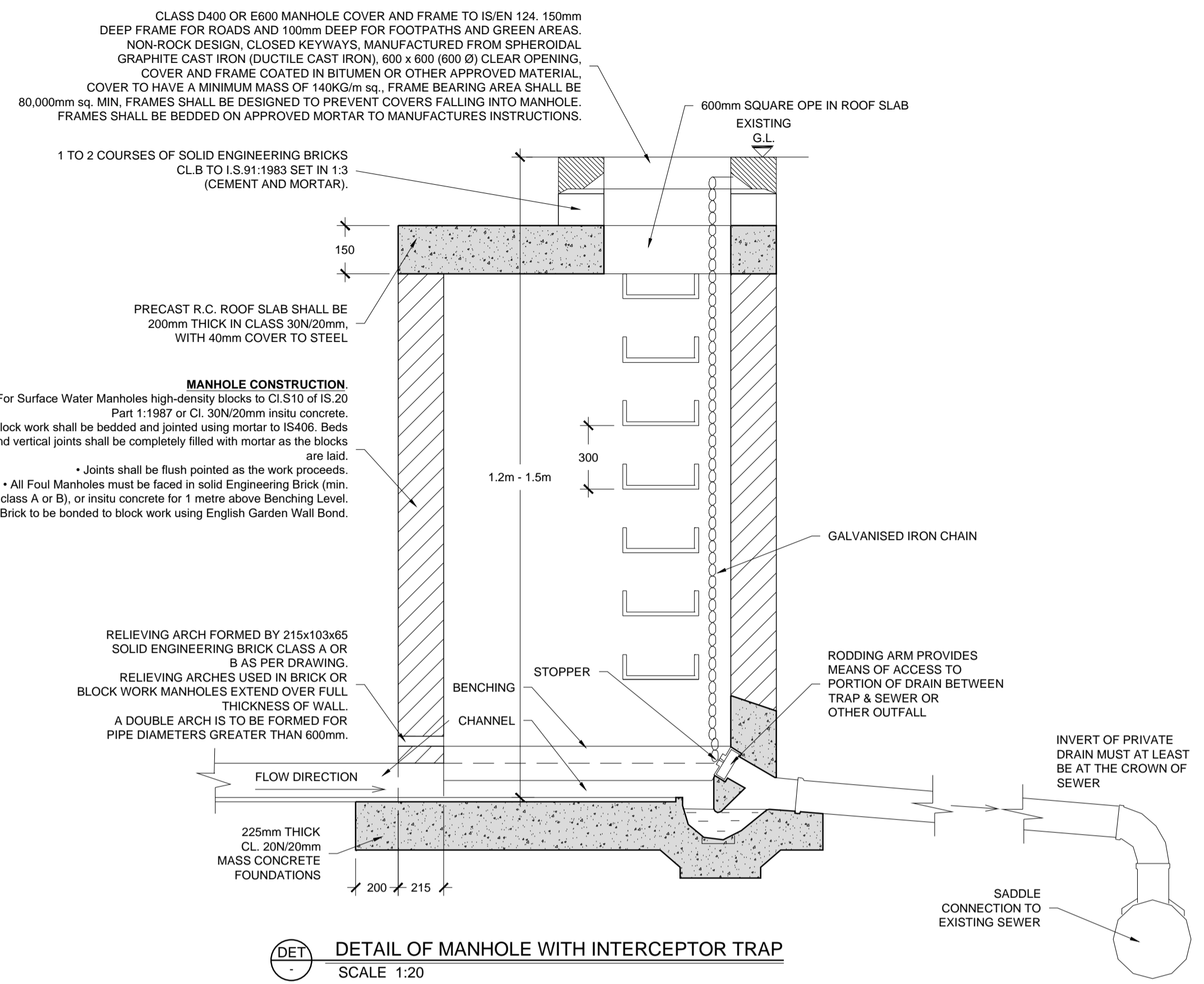


REVISION SCHEDULE					
REV. NO.	REV. DESCRIPTION	REV. DATE	DRAWN	CHECKED	
PL1	ISSUED FOR PLANNING	07/02/2019	TGB	KOM	



Drawing Stage:
PLANNING

Project Details:	
Site Address:	COOLOCK DRIVE, DUBLIN 17
Client:	PLATINUM LAND LTD.
Architect:	PLUS ARCHITECTURE
M&E Designer:	
Contractor:	

- Notes
- ALL ENGINEERS DRAWINGS TO BE READ IN CONJUNCTION WITH RELEVANT DRAWINGS AND SPECIFICATIONS.
 - ALL SETTING OUT TO ARCHITECTS DRAWINGS.
 - DO NOT SCALE FROM ENGINEERS DRAWINGS.
 - ANY DISCREPANCIES BETWEEN DRAWINGS, SKETCHES, VERBAL INSTRUCTIONS AND SITE CONDITIONS TO BE REFERRED TO THE DESIGN TEAM BEFORE WORK COMMENCES.
 - ALL LEVELS ARE STRUCTURAL UNLESS NOTED OTHERWISE.
 -

Drawn by:	JPC	Checked by:	KO'M	Approved by:	JFC	Date:	07/02/2019
Project Name:	CHIVERS SITE			Scale:	A.S. @ A1	Project Number:	1753
Drawing Title:	STANDARD DRAINAGE DETAILS SHEET 2			Project:	CHV	Originator:	CORA
				Zone:	XX	Level:	ZZ
				Type:	DR	Discipline:	C
				Drawing No:	012	Stage:	-
				Revision:	PL1		

CORA CONSULTING ENGINEERS
Behan House, 10 Lower Mount Street, Dublin 2. D02 HT71
Tel: +353 1 661 1100
e-mail: info@cora.ie
Web: www.cora.ie